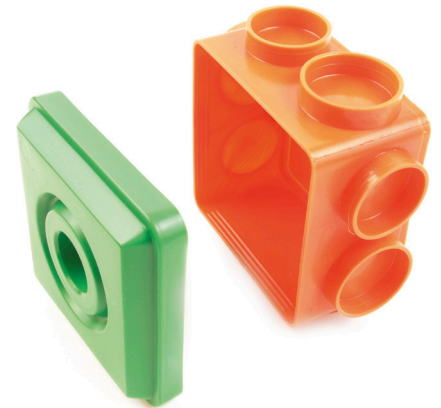
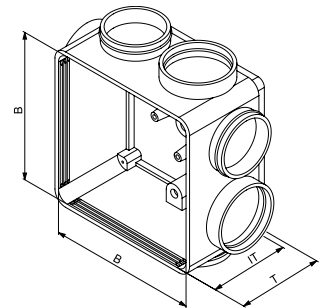


Data sheet

ID	AKB 80
Description	distribution box, halogen-free
Properties	with 2 mounting lugs, standard mounting screw spacing 60 mm, interlinkable in 71 mm distance, installation height 54 mm, max. 8 conduit entries up to Ø 25 mm main box part AKBH with integrated fixing base, bottom lid BODK 80
Colour	orange, similar to RAL 2004 green, similar to RAL 6029
Classification	AC 400 V



Norms: ÖVE/ÖNORM EN 60670-1:2014, ÖVE/ÖNORM EN 60670-22:2007



Halogen free

True

Degree of protection (IP)

IP30

Art. no.	Dimensions Ø/LxB x T	Small Package	Large Package
026 290	80 x 80 x 54 mm	5 pc	50 pc

Further technical details

Details	
break-out opening	True
seal membrane	False
nozzle	False
step membrane	False
Mounting switching equipment	Screwing
Luminaire hook mounting	False
Nozzle	None
With nail lugs	False
Circuit integrity	None

Details	
Model	Single
Shape	Square
Mounting method	Concrete building
With screws	False
Provided with revolving ring	False
Connectable	False
Equipped with	None
Cover attachment	Snap on
Material	PE