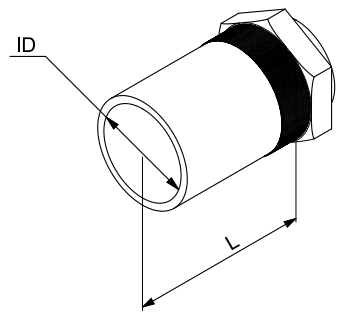


# Data sheet

|             |   |
|-------------|---|
| ID          | <b>AMT/LN HG</b>  |
| Description | adaptor with male thread and lock nut   |
| Properties  | for the connection of rigid or pliable conduits with distribution and enclosure boxes |
| Colour      | light grey, similar to RAL 7035   |



| Art. no. | Nominal diameter | Thread connection size | Small Package | Large Package |
|----------|------------------|------------------------|---------------|---------------|
| 009 579  | 20 mm            | M20 x 1.5              | 100 pc        | 1200 pc       |
| 009 580  | 25 mm            | M25 x 1.5              | 50 pc         | 600 pc        |

## Further technical details

| Details                |                 |
|------------------------|-----------------|
| Model                  | Straight        |
| Revolving thread       | False           |
| Construction type      | External thread |
| Type of connection     | Thread          |
| One-piece              | False           |
| With integrated holder | False           |
| Material sealing       | No sealing      |
| Material               | PVC-U           |