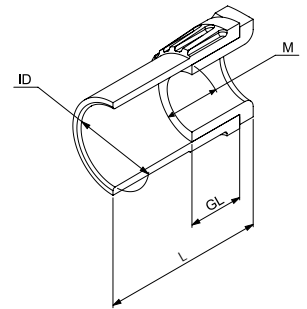


Data sheet

ID	HFAFT/MBS GR
Description	adaptor with female thread and male bush, halogen-free
Properties	for the connection of rigid or pliable conduits with distribution and enclosure boxes
Colour	grey, similar to RAL 7037



Working temperature
-25 to +90 °C

Degree of protection (IP)
IP54

Art. no.	Nominal diameter	Thread connection size	Thread length	Total length	Small Package	Large Package
020 815	20 mm	M20 x 1.5	14 mm	35 mm	100 pc	1200 pc
020 816	25 mm	M25 x 1.5	14 mm	45 mm	50 pc	600 pc

Areas of Recommended Application

Area	
Approved in combination with protective conduit CSA	False
Approved in combination with protective conduit UR	False
Approved in combination with protective conduit VD TÜV/GGVS	False
Approved in combination with protective conduit DIN EN 61386-23	True
Approved in combination with protective conduit Lloyd's Register	False

Further technical details

Details	
Model	Straight
Revolving thread	False
Construction type	Internal thread
Type of connection	Plug-in connection
Thread type	Metric
Material sealing	No sealing
Material	PC-Blend