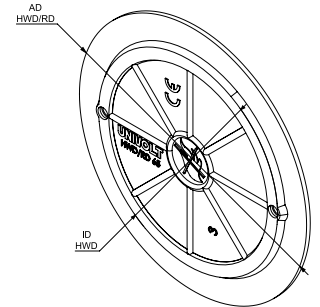


Data sheet

ID	HWAD/RD 120
Description	cover lid
Properties	overlaps the box rim, for screw fixing
Colour	white, similar to RAL 9010
Fire Behaviour	non flame propagating
Usage	for dry lining boxes
Classification	400 V, IP 30, H



Art. no.	Dimensions lid	Dimensions box	Small Package	Large Package
101 396	120 mm	Ø 120 mm	5 pc	250 pc

Details	
Model	Mounting cover
Shape	Round
Type of fastening	Screw cap
With screws	False
Sealable	False
Halogen free	False
Material	PVC-U