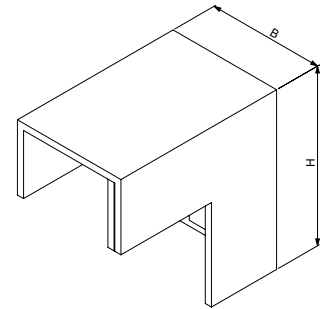
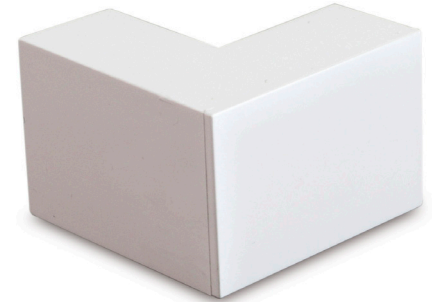


Data sheet

ID	SAE WS
Description	external angle
Colour	white, similar to RAL 9010

Norms: EN 50085, BS 4678 part 4, VDE 0604-1



Art. no.	Art.	Height x Width	Small Package	Large Package
004 961	SAE 16/16 WS	16 x 16 mm	20 pc	800 pc
004 962	SAE 16/40 WS	16 x 40 mm	10 pc	400 pc
004 963	SAE 25/40 WS	25 x 40 mm	10 pc	400 pc
004 964	SAE 16/25 WS	16 x 25 mm	10 pc	400 pc
023 004	SAE 40/40 WS	40 x 40 mm	10 pc	160 pc
023 614	SAE 40/60 WS	40 x 60 mm	24 pc	-

Further technical details

Details

Model	Moulded hood
Angle	90
Type of fastening	Snap on
Protection film	False
Suitable for circuit integrity	False
Halogen free	False
Material	PVC-U