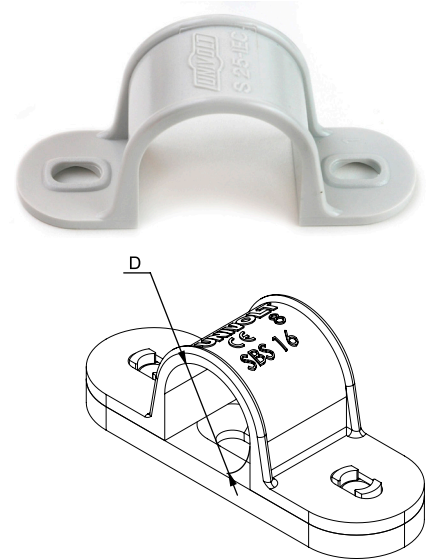


Data sheet

Part No.	S HG
Description	saddle, with two fixing holes for mounting of rigid or pliable conduits with screws Ø 4 mm
Colour	light grey, similar to RAL 7035



Art. no.	For tube diameter	ps	pl
020 578	16 mm	100 pc	3200 pc
020 579	20 mm	50 pc	1600 pc
020 580	25 mm	100 pc	1600 pc
020 581	32 mm	100 pc	800 pc
020 582	40 mm	50 pc	400 pc
020 583	50 mm	50 pc	400 pc
020 584	63 mm	25 pc	200 pc

Further technical details

Details	
Closed	True
Tackable	False
Max. number of tubes	1
Type of fastening	Screw hole
With inlay	False
Material	PVC-U