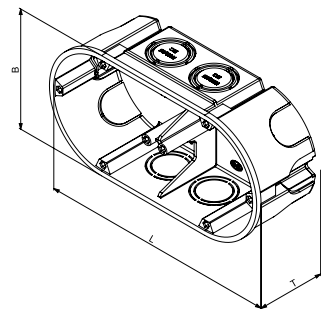


Data sheet

Part No.	UGD 2
Description	outlet box for mounting of twin gang devices in standard distance of 71 mm, mounting screw spacing 60 mm
Colour	black, similar to RAL 9005
Classification	400 V, IP 40



Standard: EN 60670-1



Halogen free
True

Degree of protection (IP)
IP30

Art. no.	Dimensions	ps	pl
026 466	136 x 65 x 45 mm	50 pc	1750 pc

Areas of Recommended Application

Area	
break-out opening	True
seal membrane	False
nozzle	False
step membrane	False
Mounting switching equipment	Screw or spread out
Luminaire hook mounting	False
Nozzle	None
With nail lugs	False
Circuit integrity	None

Further technical details

Details	
Model	Double
Shape	Oval
Mounting method	Flush mounted (plaster)
With screws	False
Provided with revolving ring	False
Connectable	False
Equipped with	None
Cover attachment	
Material	PS