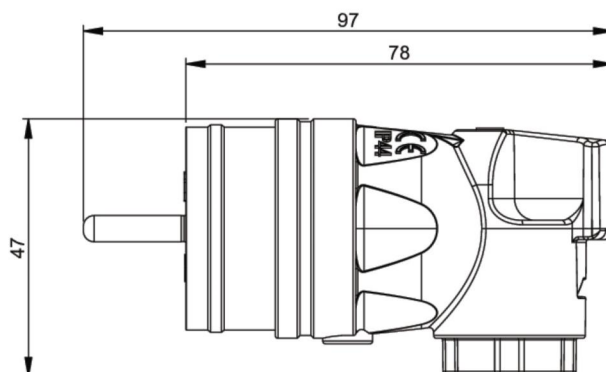


## PCE data sheet

article#	<b>05831-s</b>
article description	<b>Rubber angled plug one earthing systems</b>
description long	Schutzkontaktwinkelstecker Gummi fb IP44 (schwarz) Serie Taurus
GTIN (EAN)	9003399210853
country of origin	AT
customs number	85366990
net weight	0.076 kg
packaging quantity	20
minimum order quantity	20

ETIM 8.0	EC000242
Model	Earthing pin
Material	Rubber
For heavy conditions (in accordance with VDE)	True
Degree of protection (IP)	IP44
Angle of plug	Right-angled
Connection system	Screwed terminal
Colour	Black
Number of poles	3
Nominal voltage	250 V
Nominal current	16 A
Protective earth pin round	True

K (cable Ø)	6-13 mm
wire flexible	0,75-2,5 mm <sup>2</sup>
contact screws	80 Ncm
strain relief	110 Ncm
dismantling length	30 mm
stripping length	7 mm



<https://www.pcelectric.at/shop/en/?func=detail&artnr=05831-s>



[www.manufacturer-safety.info](http://www.manufacturer-safety.info)