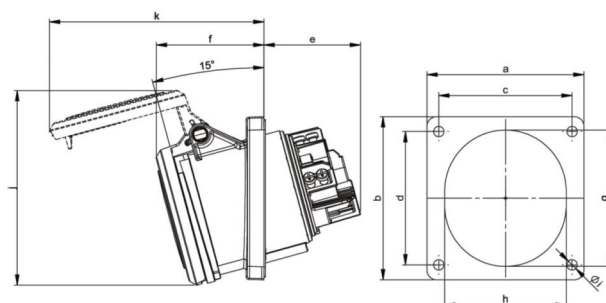


PCE data sheet

article#	4351-6fd
article description	CEE-flanged socket sloping (106x110) 63A 5p 6h IP44 POWER TWIST
description long	CEE-flanged socket sloping (106x110) 63A 5p 6h IP44 POWER TWIST housing material: PA6 rated current: 63A number of poles: 5 (3P+N+PE) clock-position: 6h rated voltage/frequency: 200/346V~ - 240/415V~ / 50+60Hz contacts: brass, with lamellar spring (CuBe) connection technology: frame terminals with screws dimensions (flange/fixing center): 106x110 mm / 90x90 mm IP protection class: IP44
GTIN (EAN)	9003399378027
country of origin	AT
customs number	85366990
net weight	0.550 kg
packaging quantity	2

ETIM 7.0	EC001317
IEC-amperage	63 A
Voltage acc. EN 60309-2	400 V (50+60 Hz) red
Number of poles	5
Clock hour position	6 h
Identification colour	Red
Degree of protection (IP)	IP44
Connection system	Screwed terminal
Angle of plug	Angled
Material	Plastic
Contact material	CuZn
Surface finish contacts	Untreated
Flange size vertical	110 mm
Drill hole distance vertical	90 mm
Flange size horizontal	106 mm
Drill hole distance horizontal	90 mm

wire flexible	6-16 mm ²
wire solid	6-25 mm ²
contact screws	200 Ncm
dismantling length	100 mm
stripping length	15-18 mm



www.manufacturer-safety.info