

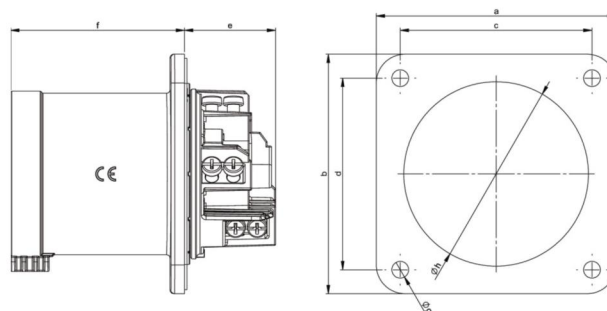
PCE data sheet

article#	6351-6k
article description	CEE-flanged plug straight 63A 5p 6h IP44 POWER TWIST
description long	CEE-flanged plug straight 63A 5p 6h IP44 POWER TWIST housing material: PA6 rated current: 63A number of poles: 5 (3P+N+PE) clock-position: 6h rated voltage/frequency: 200/346V~ - 240/415V~ / 50+60Hz contacts: brass nickel plated, with pilot pin connection technology: frame terminals with screws dimensions (flange/fixing center): 100x100 mm / 80x80 mm IP protection class: IP44
GTIN (EAN)	9003399341816
country of origin	AT
customs number	85366990
net weight	0.427 kg
packaging quantity	2
minimum order quantity	2



ETIM 7.0	EC001319
IEC-amperage	63 A
Voltage acc. EN 60309-2	400 V (50+60 Hz) red
Number of poles	5
Clock hour position	6 h
Identification colour	Red
Degree of protection (IP)	IP44
Connection system	Screwed terminal
Construction type	Built-up device plug
Angle of plug	Straight
Material	Plastic
Contact material	CuZn
Surface finish contacts	Nickel-plated

wire flexible	6-16 mm ²
wire solid	6-25 mm ²
contact screws	200 Ncm
dismantling length	100 mm
stripping length	15-18 mm



www.manufacturer-safety.info