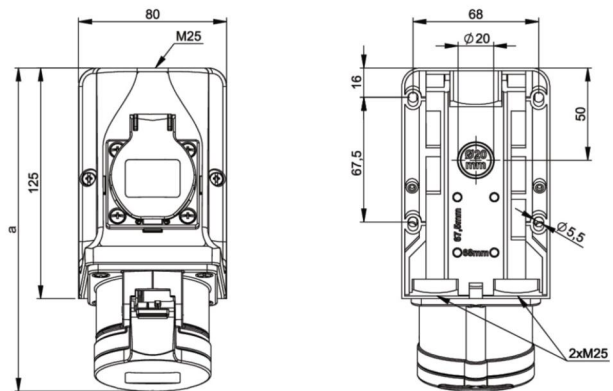


# PCE data sheet

article#	<b>9213-6</b>
article description	<b>CEE-wall mounted socket + safety socket COMBO 16A 3p 6h IP44</b>
description long	CEE-wall mounted socket + safety socket COMBO 16A 3p 6h IP44 housing material: PA6 rated current: 16A number of poles: 3 (2P+PE) clock-position: 6h rated voltage/frequency: 200-250V~ / 50+60Hz contacts: brass connection technology: screw terminals cable entry: top, 2x bottom, rear with safety socket (Austrian/German standard) - ready wired IP protection class: IP44
GTIN (EAN)	9003399090639
country of origin	AT
customs number	85366990
net weight	0.388 kg
packaging quantity	5

ETIM 7.0	EC000379
CEE socket outlet 16 A	1x16A3p230V
CEE socket outlet 32 A	
Number of socket outlets with protective contact	1
Other fixtures and/or empty locations	
Material housing	Plastic
Handling	Wall mounting
Degree of protection (IP)	IP44
Colour	Grey

wire flexible	2,5-6 mm <sup>2</sup>
wire solid	2,5-10 mm <sup>2</sup>
contact screws	110 Ncm
dismantling length	50 mm
stripping length	12-14 mm



[www.manufacturer-safety.info](http://www.manufacturer-safety.info)